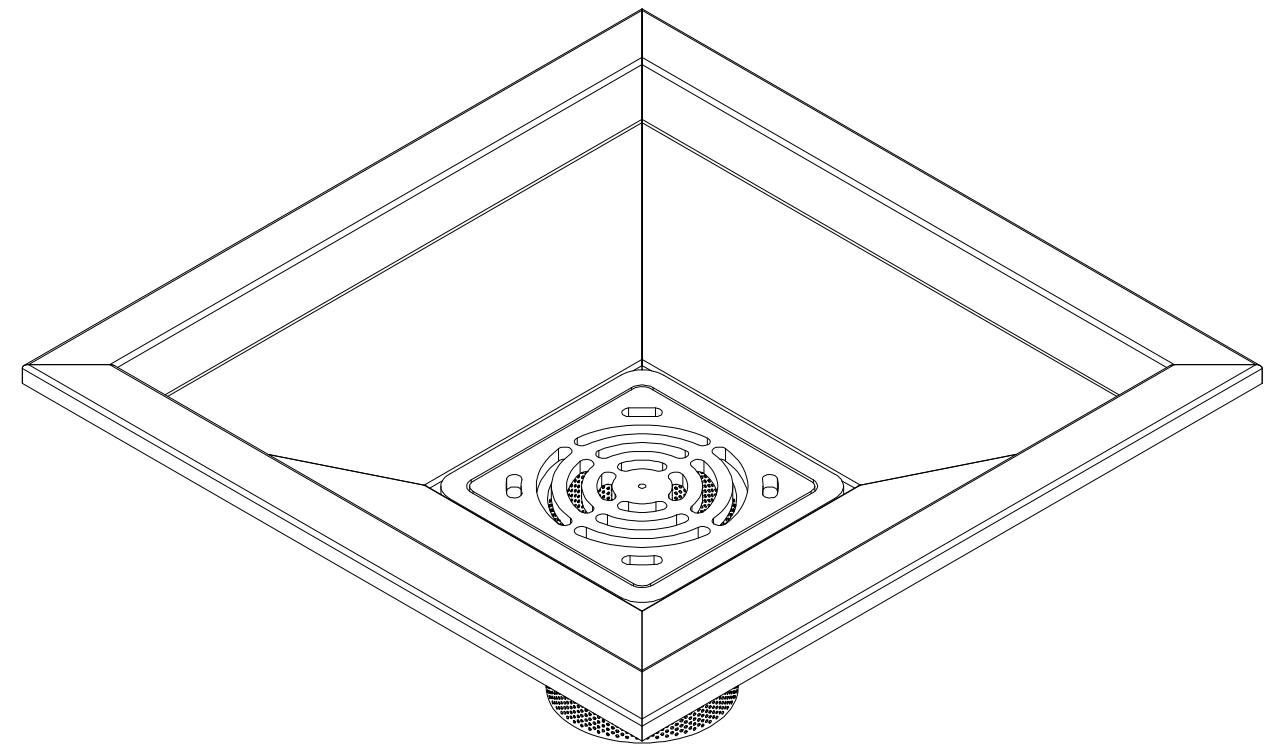
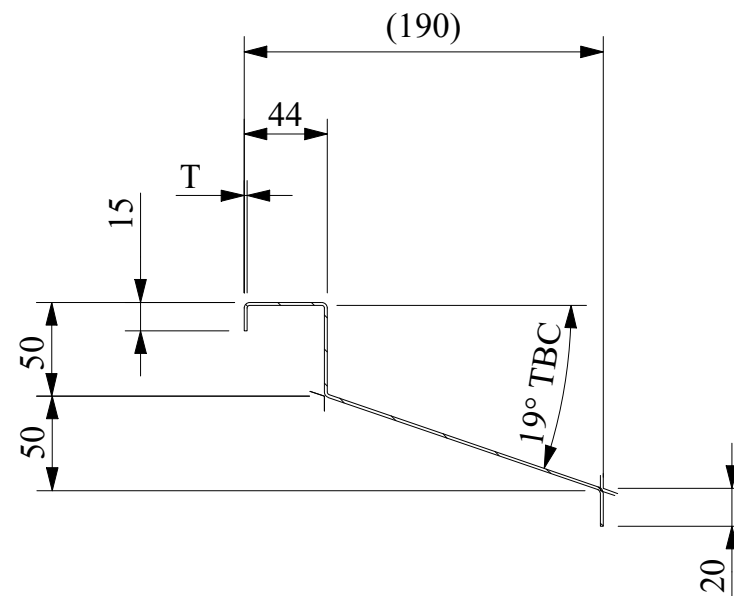
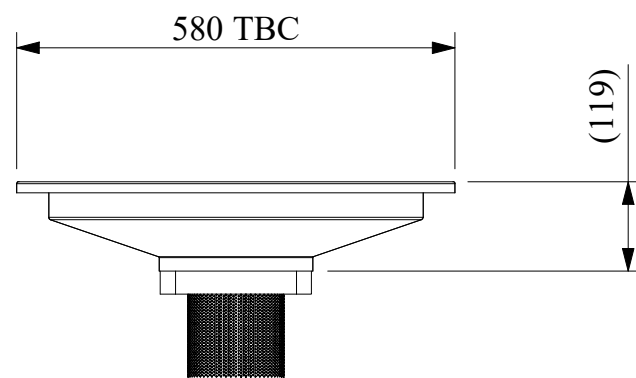


GRATING HIDDEN  
FOR CLARITY  
OF DIMENSIONS



ISO VIEW



SECTION VIEW Y-Y  
SCALE (1:4)  
VIEW ROTATED AND ENLARGED  
TYP. 4 SIDES

ALL MATERIAL FOR MOP PIT  
SHEET STAINLESS STEEL  
#4 FINISH

GENERAL NOTES:

1. ALL DIMENSIONS IN MM UNLESS NOTED OTHERWISE
2. REMOVE ALL SHARP EDGES AND DEBURR HOLES
3. SURFACE FINISH N10 UNLESS SPECIFIED OTHERWISE
4. DRAWN TO AS 1100

REV TABLE				
REV	DATE	DESCRIPTION	DRAWN BY	CHECKED BY
1	15/04/26	FIRST DRAFT	Y. SHAH	A. YOUNG

Marko Stainless & Aluminium	YH MECHANICAL DRAFTING SERVICES
1091 Project: MOP PITS	DATE: 14/04/2026 DRAWN BY: Y. SHAH
TOLERANCES LINEAR $\pm 0.5$ ANGULAR $\pm 0.2$	MATERIAL: 11.6 kg
PART NO: Mop Pit 1	
SCALE: 1:10 SHEET NO: 1/1 REV: 01 A3	